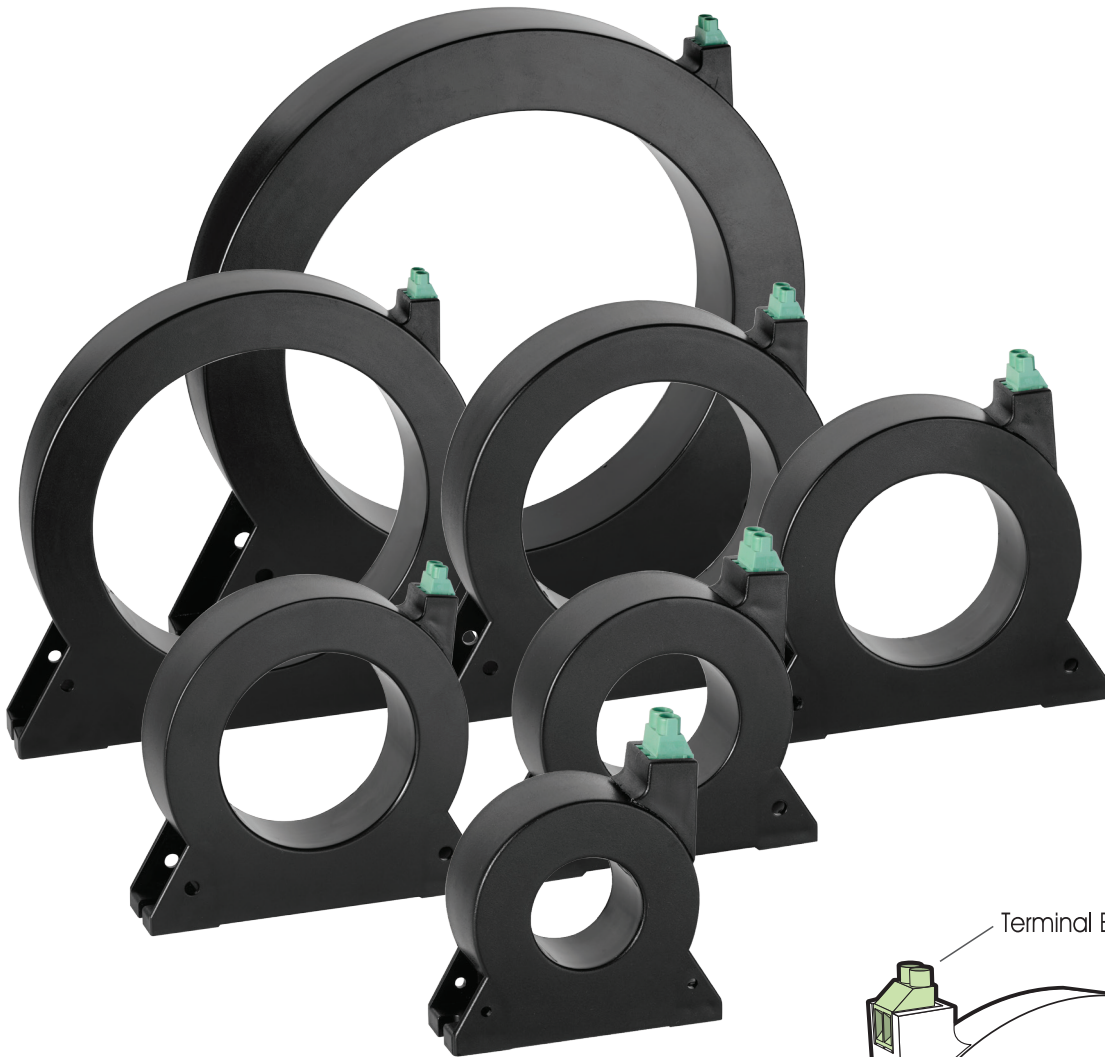
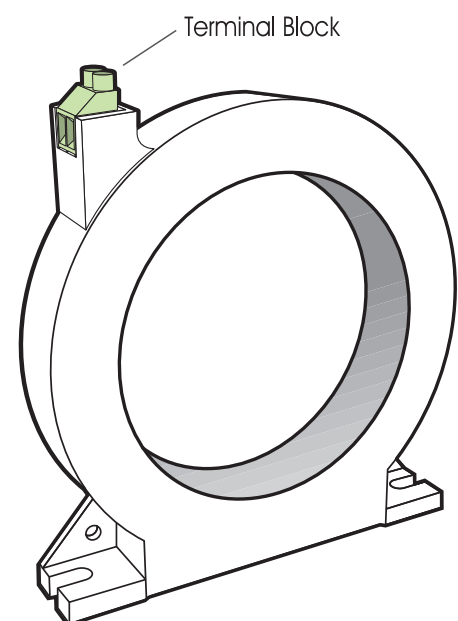


30/45/65/80/100/150/200/300



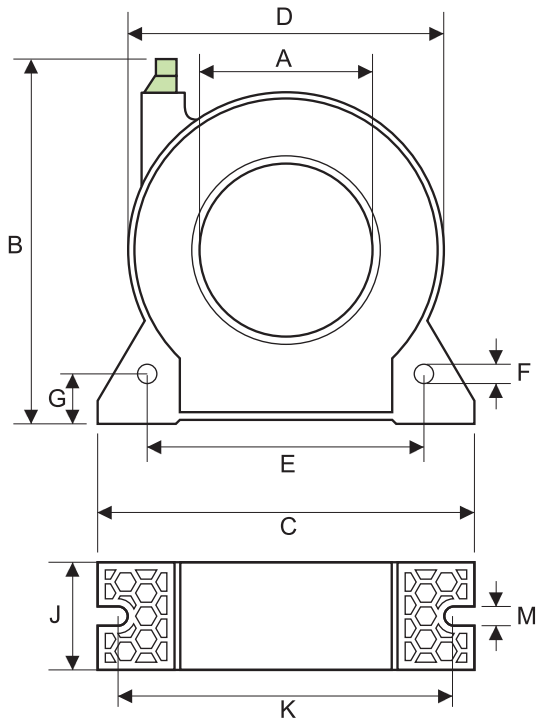
technical data

Type	: Solid-core
Frequency	: 50 / 60 Hz
Insulation	: 600V / 50 Hz 1 min.
Sec. Burden	: 10 VA
Connection	: Terminal Block



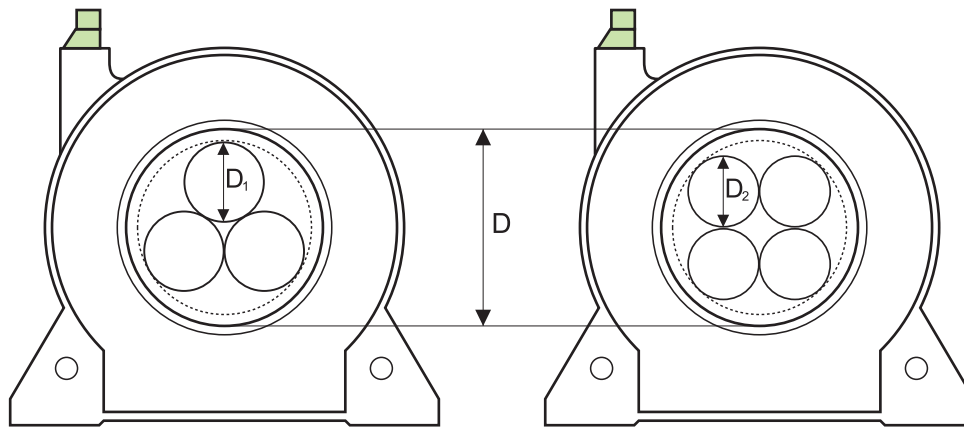
For optimum performance and accuracy, we recommend that you use only the original Z.C.T. intended for use with the device. Using others Z.C.T. could compromise on the performance or accuracy. The warranty does not cover product failures which have been caused by use of other Z.C.T.

dimension



ZPC model	30	45	65	80	100	150	200	300
Applicable current range (A)	0~100	0~160	0~225	0~400	0~630	0~1250	0~1500	0~2000
A (mm) Ø	30	45	65	80	100	150	200	300
B (mm)	85	104	118	139	156	210	267	377
C (mm)	75	98	124	140	167	224	295	400
D (mm) Ø	65	82	104	125	147	205	273	375
E (mm)	58	72	96	106	130	180	228	330
F (mm) Ø	3	5	5	6	6	6	8	7
G (mm)	12	13	14	18	21	35	45	45
J (mm)	25	28	28	32	32	32	40	40
K (mm)	70	87	110	122	153	208	280	380
M (mm)	5	5	6	6	6	6	6	7
Weight (kg)	~0.14	~0.21	~0.28	~0.46	~0.65	~1.1	~2.2	~3.14

calculation to determine inner diameter of ZCT required



model ZPC	30	45	65	80	100	150	200	300
D (ZCT inner diameter mm)	30	45	65	80	100	150	200	300
D ₁ (3 wire max cable diameter mm)	9	16	24	32	40	60	82	130
D ₂ (4 wire max cable diameter mm)	8	14	22	29	36	54	75	125

ordering information

Model	Description	Model	Description
ZPC-30	Hole diameter 30mm	ZPC-100	Hole diameter 100mm
ZPC-45	Hole diameter 45mm	ZPC-150	Hole diameter 150mm
ZPC-65	Hole diameter 65mm	ZPC-200	Hole diameter 200mm
ZPC-80	Hole diameter 80mm	ZPC-300	Hole diameter 300mm

Note: All measurement in mm.