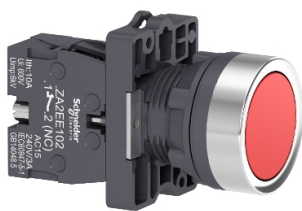


Product datasheet

Specifications



round red push-button Ø 22 - flush
spring return - 1NC

XA2EA42

Main

Range Of Product	Easy Harmony XA2
Product Or Component Type	Complete push-button
Device Short Name	XA2
Bezel Material	Plastic
Fixing Collar Material	Plastic

Complementary

Mounting Diameter	22.5 mm
Sale Per Indivisible Quantity	1
Protective Treatment	TC
Operating Position	Any position
Fixing Center	>= 30 x 40 mm (panel) - thickness: 1...5 mm
Fixing Mode	Fixing nut: 2...2.4 N.m
Shape Of Signaling Unit Head	Round
Type Of Operator	spring return
Operator Profile	Red flush
Contacts Type And Composition	1 NC
Contact Operation	Slow-break
Positive Opening	With NC contact conforming to IEC 60947-5-1 appendix K
Mechanical Durability	1500000 cycles
Connections - Terminals	Screw clamp terminal, <= 2 x 1.5 mm ² Screw clamp terminal, <= 1 x 2.5 mm ² Screw clamp terminal, >= 1 x 0.5 mm ² Faston terminals, connection size: 6.3 mm
Tightening Torque	0.8 N.m
Short-Circuit Protection	10 A gL fuse conforming to IEC 60269-1
[Ith] Conventional Free Air Thermal Current	10 A
[Ui] Rated Insulation Voltage	600 V conforming to IEC 60947-1
[Uimp] Rated Impulse Withstand Voltage	6 kV conforming to IEC 60947-1
[Ie] Rated Operational Current	3 A at 240 V, AC-15, A600 0.27 A at 250 V, DC-13, Q600
Electrical Durability	500000 cycles, AC-15, 3 A at 230 V, operating rate <60 cyc/mn, load factor: 0.5 conforming to IEC 60947-5-4 500000 cycles, DC-13, 0.2 A at 110 V, operating rate <60 cyc/mn, load factor: 0.5

Electrical Reliability	$\Lambda < 10\text{exp}(-8)$ at 24 V
Width	30 mm
Height	42 mm
Depth	54.7 mm
Net Weight	0.032 kg
Cap/Operator Or Lens Colour	Red
Type Of Operator	Spring return

Environment

Ambient Air Temperature For Storage	-40...70 °C
Ambient Air Temperature For Operation	-25...55 °C
Overvoltage Category	Class I conforming to IEC 536
Ip Degree Of Protection	IP65 conforming to IEC 60529
Ik Degree Of Protection	IK03 conforming to IEC 60529
Standards	IEC 60947-5-1 GB 14048.5 IEC 60947-1 GB 14048.1
Product Certifications	CCC CE
Vibration Resistance	10 gn (f= 40...500 Hz) conforming to IEC 60068-2-6
Shock Resistance	70 gn (duration = 11 ms) for half sine wave acceleration conforming to IEC 60068-2-27

Packing Units

Unit Type Of Package 1	PCE
Number Of Units In Package 1	1
Package 1 Height	3.300 cm
Package 1 Width	3.300 cm
Package 1 Length	6.350 cm
Package 1 Weight	34.000 g
Unit Type Of Package 2	BB1
Number Of Units In Package 2	5
Package 2 Height	5.000 cm
Package 2 Width	5.000 cm
Package 2 Length	15.000 cm
Package 2 Weight	170.000 g
Unit Type Of Package 3	S02
Number Of Units In Package 3	100
Package 3 Height	15.000 cm
Package 3 Width	30.000 cm
Package 3 Length	40.000 cm
Package 3 Weight	3.737 kg

Sustainability

Green Premium™ label is Schneider Electric's commitment to delivering products with best-in-class environmental performance. Green Premium promises compliance with the latest regulations, transparency on environmental impacts, as well as circular and low-CO₂ products.

Guide to assessing product sustainability is a white paper that clarifies global eco-label standards and how to interpret environmental declarations.

[Learn more about Green Premium >](#)

[Guide to assess a product's sustainability >](#)



Transparency RoHS/REACH

Well-being performance

Reach Free Of Svhc

Mercury Free

Rohs Exemption Information Yes

Certifications & Standards

Reach Regulation

[REACH Declaration](#)

Eu Rohs Directive

Pro-active compliance (Product out of EU RoHS legal scope)

[EU RoHS Declaration](#)

China Rohs Regulation

[China RoHS declaration](#)

Environmental Disclosure

[Product Environmental Profile](#)

Weee

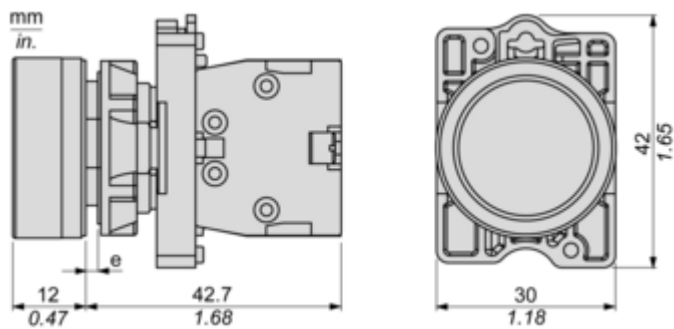
The product must be disposed on European Union markets following specific waste collection and never end up in rubbish bins

Circularity Profile

[End of Life Information](#)

Dimensions Drawings

Dimensions

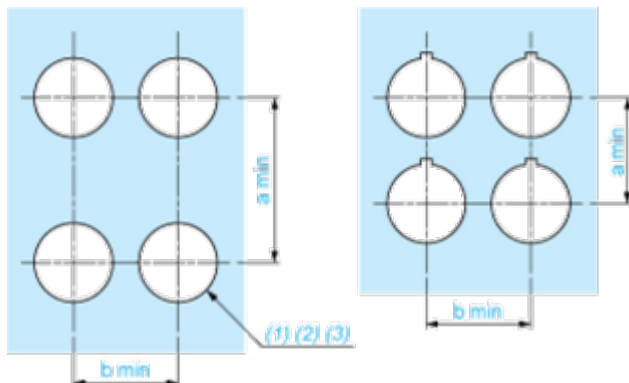


(e) Clamping thickness: 1 to 6 mm / 0.04 to 0.24 in.

Mounting and Clearance

Panel Cut-out for Pushbuttons, Switches and Pilot Lights (Finished Holes, Ready for Installation)

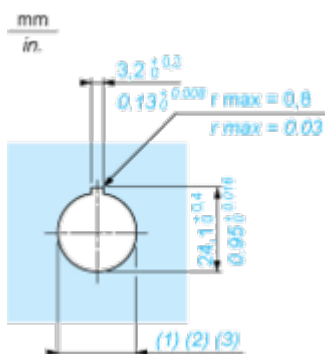
Connection by Screw Clamp Terminals



- (1) Diameter on finished panel or support
- (2) For selector switches and Emergency stop buttons, use of an anti-rotation plate type ZB5AZ902 is recommended.
- (3) Ø22.5 mm recommended ($\text{Ø}22.3_0^{+0.4}$) / Ø0.89 in. recommended ($\text{Ø}0.88\text{ in.}_0^{+0.016}$)

Connections	a in mm	a in in.	b in mm	b in in.
By screw clamp terminals connector	40	1.57	30	1.18
By Faston connectors	45	1.77	32	1.26

Detail of Lug Recess



- (1) Diameter on finished panel or support
- (2) For selector switches and Emergency stop buttons, use of an anti-rotation plate type ZB5AZ902 is recommended.
- (3) Ø22.5 mm recommended ($\text{Ø}22.3_0^{+0.4}$) / Ø0.89 in. recommended ($\text{Ø}0.88\text{ in.}_0^{+0.016}$)